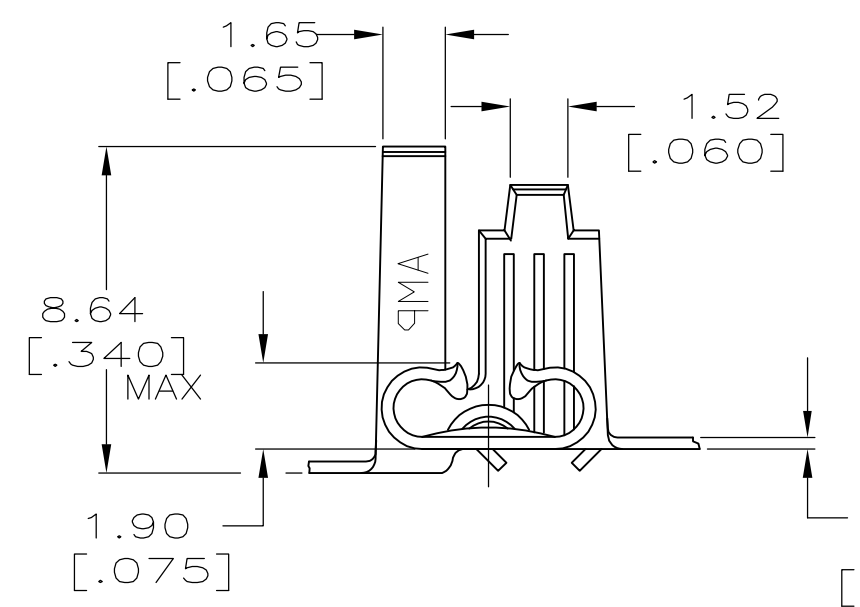
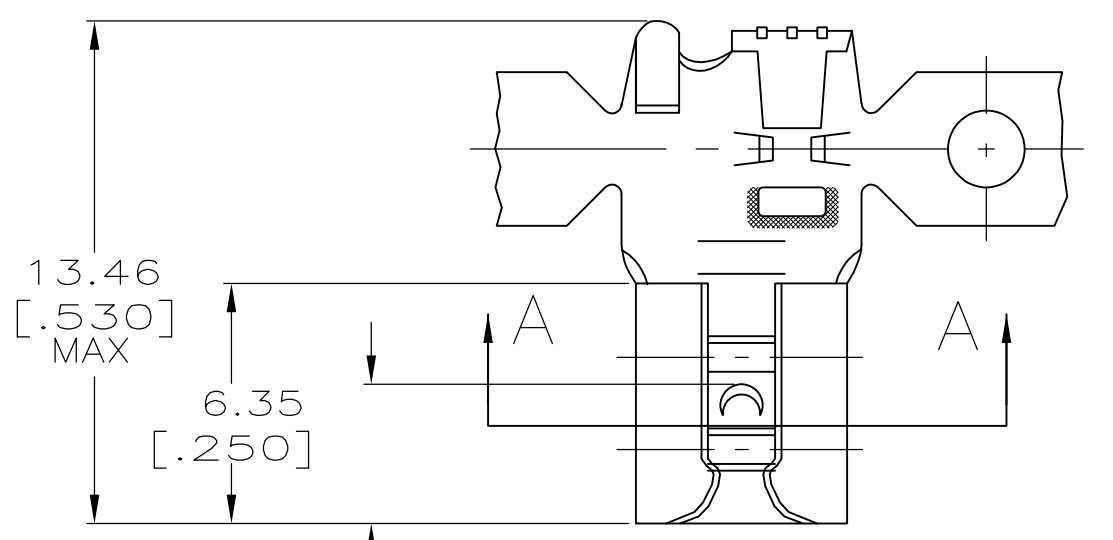


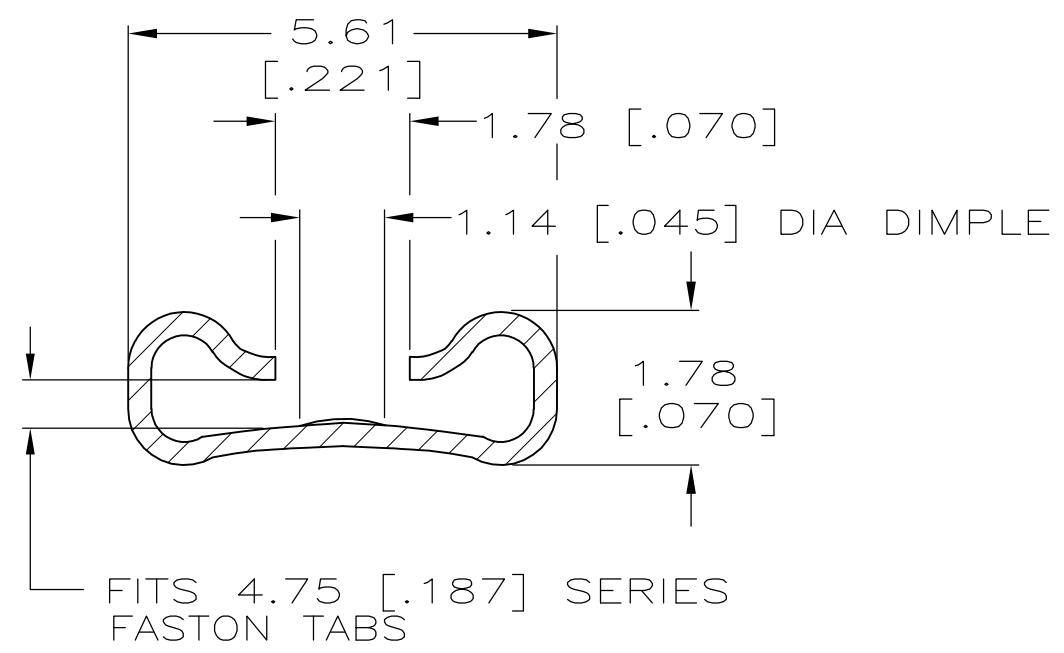
THIS DRAWING IS UNPUBLISHED. RELEASED FOR PUBLICATION
 © COPYRIGHT - By - ALL RIGHTS RESERVED.

REVISIONS				
P	LTR	DESCRIPTION	DATE	APVD
	H1	REVISED PER ECR-16-010719	27JUL2016	LP TD



± 0.025
 0.30
 ± 0.001
 $[\cdot 012]$

1 CONTINUOUS STRIP ON REELS.
 Δ HIGH 1ST/6TH RETENTION FORCE



SECTION A-A
 SCALE 10:1

TIN	2.79-4.32	0.5-1.3mm ²	0.51 [.020]	Δ 1-42800-2
-	[.110-.170] DIA	[20-16]AWG		42800-2
FINISH	INSULATION RANGE	WIRE SIZE	MATING TAB THK ± 0.025 [.001]	42800-1
				PART NO

THIS DRAWING IS A CONTROLLED DOCUMENT.		DWN JR RUTH 11/1/91	STE TE Connectivity	
DIMENSIONS: mm [INCHES]		CHK MS FEHER 11/1/91		
TOLERANCES UNLESS OTHERWISE SPECIFIED:		APVD C MEYERS 11/1/91	NAME RECEPTACLE, FASTON, 4.75 [.187] SERIES	
0 PLC ± -		PRODUCT SPEC -	SIZE CAGE CODE DRAWING NO RESTRICTED TO	
1 PLC ± -		APPLICATION SPEC -	A3 00779 C-42800	
2 PLC ± 0.25 [.010]		WEIGHT 0.000000	SCALE 5:1 SHEET 1 OF 1 REV H1	
3 PLC ± -		CUSTOMER DRAWING		
4 PLC ± -				
ANGLES ± -				
FINISH SEE TABLE				
MATERIAL BRASS				

